

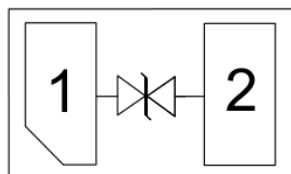
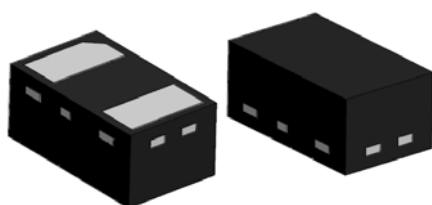
Features

- 68W (8/20 μ s) Peak Pulse Power
- Low Capacitance ESD Protection
- DFN1006-2 Package
- RoHS Compliant
- Matte Tin Lead finish (Pb-Free)
- Protect One High Speed Data Line
- Meet IEC61000-4-2 Level 4:
Contact Discharge > 20kV
Air Discharge > 20kV

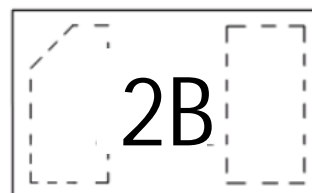
Applications

- Communication System
- Portable Instrumentation
- Audio and Video Equipment
- Computers and Peripherals
- USB 1.1, USB 1.0 Ports

Circuit Diagram



Package Outline



2B= Device Code

Ordering information

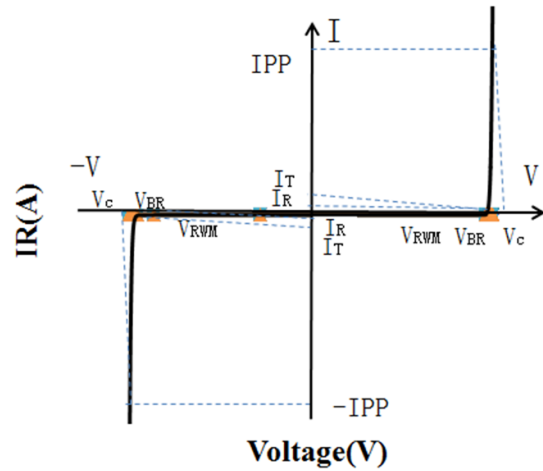
Device	Package	Reel Size	Qty / Reel
LXE1006F809B	DFN1006-2	7 inch	10000

Maximum Ratings (Ta = 25°C)

Parameter	Symbol	Value	Unit
Peak Pulse Power	P _{PK}	68	W
Peak Pulse Current	I _{PP}	5	A
Contact ESD Voltage per IEC61000-4-2	V _{ESD(Contact)}	20	kV
Air ESD Voltage per IEC61000-4-2	V _{ESD(Air)}	20	kV
Junction Temperature	T _J	-55 to +150	°C
Storage Temperature	T _{STG}	-55 to +150	°C

Portion Electronics Parameter

Symbol	Parameter
I_T	Test Current
I_{PP}	Maximum Reverse Peak Pulse Current
V_C	Clamping Voltage @ I_C



Electrical Characteristics (Ta = 25°C)

Symbol	Parameter	Conditions	Min	Typ	Max	Unit
V_{RWM}	Reverse Working Peak Voltage				5	V
V_{BR}	Reverse Breakdown Voltage	$I_T = 1\text{mA}$	5.7		9	V
I_R	Reverse Leakage Current	$V_{RWM} = 5\text{V}$			0.1	μA
V_C	Clamping Voltage	$I_{PP} = 1\text{A} (8/20\mu\text{s})$			12	V
V_C	Clamping Voltage	$I_{PP} = 5\text{A} (8/20 \mu\text{s})$			17	V
C_J	Capacitance	$V_R = 0\text{V}, f = 1\text{MHz}$	8	8.9	15	pF

SURGE CURRENT WAVEFORM

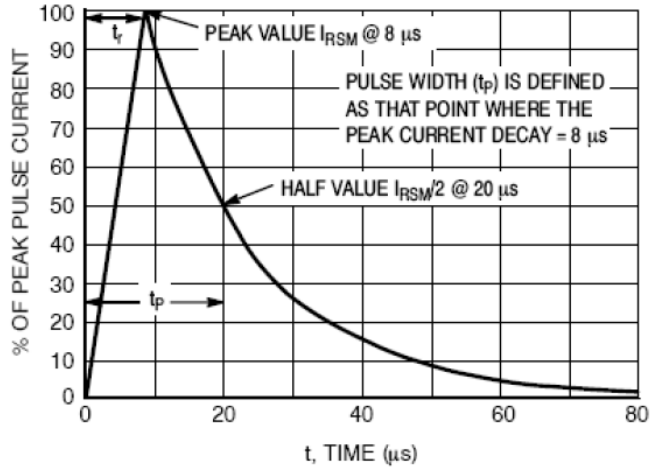
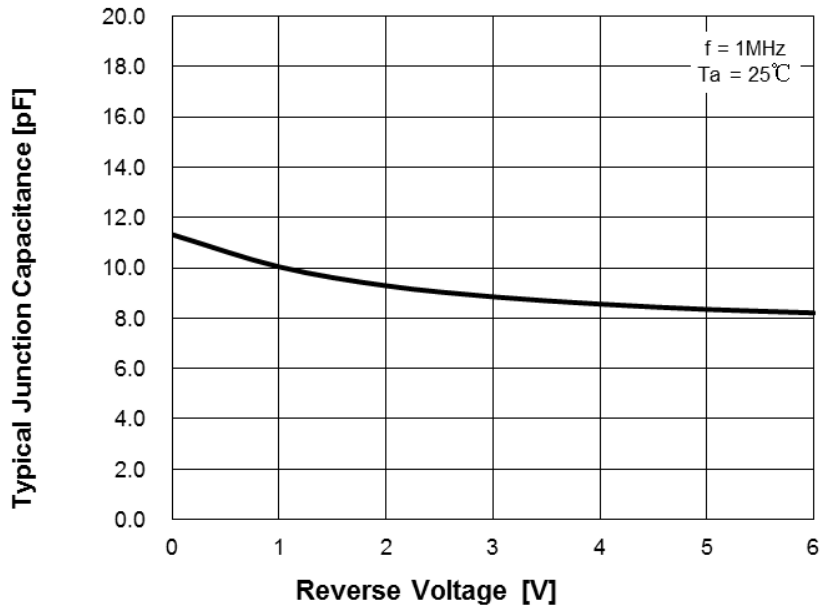
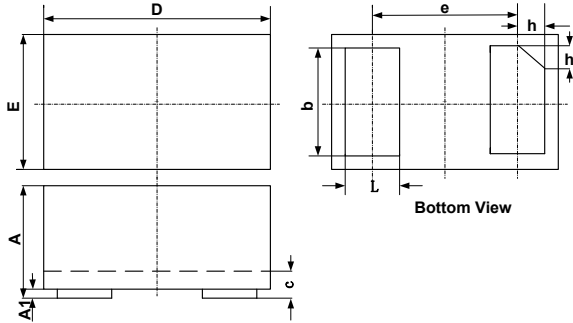


Figure 1. 8 x 20 µs Pulse Waveform

CAPACITANCE CURVE

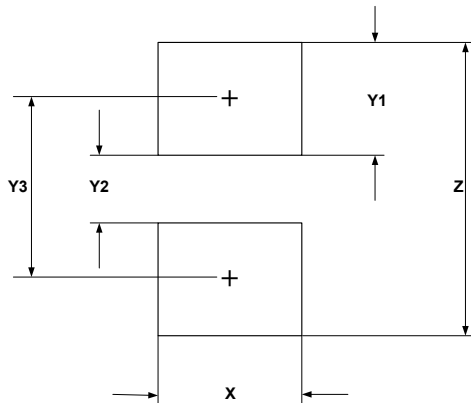


DFN1006-2 Package Outline Drawing



SYM	DIMENSIONS					
	MILLIMETERS			INCHES		
	MIN	NOM	MAX	MIN	NOM	MAX
A	0.45	0.50	0.55	0.018	0.020	0.022
A1	0.00	0.02	0.05	0.000	0.001	0.002
b	0.45	0.50	0.55	0.018	0.020	0.022
c	0.12	0.15	0.18	0.005	0.006	0.007
D	0.95	1.00	1.05	0.037	0.039	0.041
e	0.65 BSC			0.026 BSC		
E	0.55	0.60	0.65	0.022	0.024	0.026
L	0.20	0.25	0.30	0.008	0.010	0.012
h	0.07	0.12	0.17	0.003	0.005	0.007

Suggested Land Pattern



SYM	DIMENSIONS	
	MILLIMETERS	INCHES
X	0.60	0.024
Y1	0.50	0.020
Y2	0.30	0.012
Y3	0.80	0.032
Z	1.30	0.052