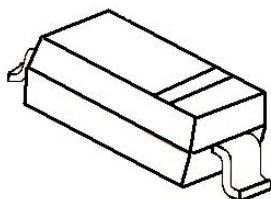




特征 Features

- 大电流承受能力。High Current Capability
- 正向压降低。Low Forward Voltage Drop

SOD-323



机械数据 Mechanical Data

- 封装: SOD-323 封装 SOD-323 Small Outline Plastic Package
- 极性: 色环端为负极 Polarity: Color band denotes cathode end
- 安装位置: 任意 Mounting Position: Any

Ordering Information

Type No.	Marking	Package Code
B5817WS	SJ	SOD-323
B5818WS	SK	SOD-323
B5819WS	SL	SOD-323

极限值和温度特性(TA = 25°C 除非另有规定)

Maximum Ratings & Thermal Characteristics (Ratings at 25°C ambient temperature unless otherwise specified.)

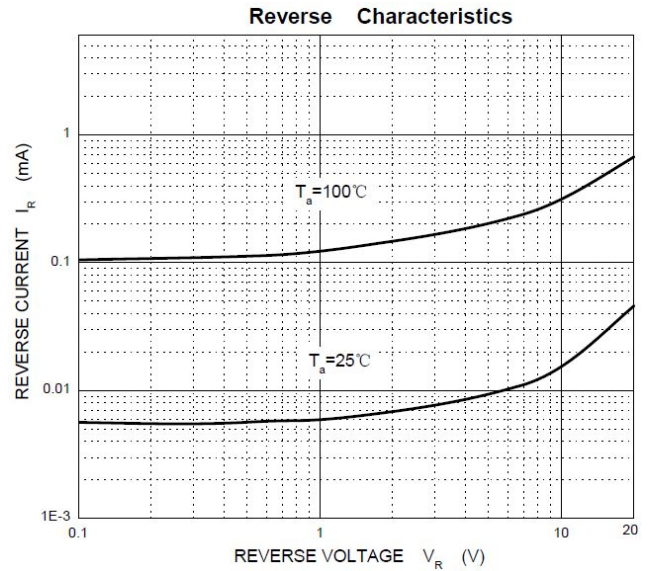
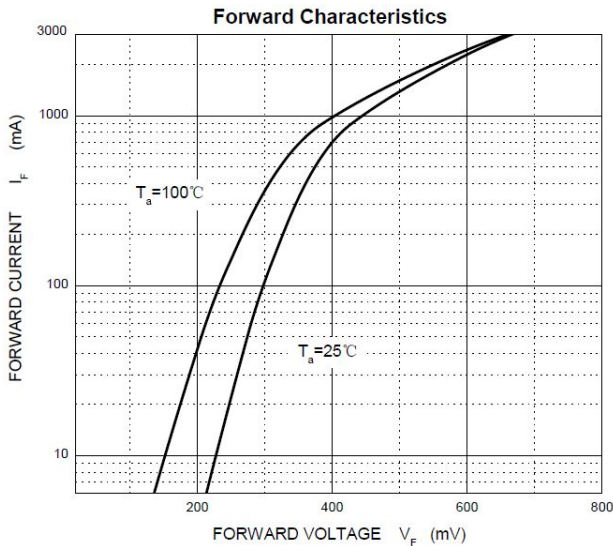
参数 Parameters	符号 Symbol	B5817WS	B5818WS	B5819WS	单位 Unit
最大可重复峰值反向电压 Maximum repetitive peak reverse voltage	VRRM	20	30	40	V
最大均方根电压 Maximum RMS voltage	VRMS	14	21	28	V
最大直流阻断电压 Maximum DC blocking voltage	VDC	20	30	40	V
最大正向平均整流电流 Maximum average forward rectified current	IFM	1.0			A
峰值正向浪涌电流 8.3ms 单一正弦半波 Peak forward surge current 8.3ms single half sine-wave	IFSM	9			A
典型热阻 Typical thermal resistance	RθJA	400			°C/W
功率消耗 Power Dissipation	PD	250			mW
工作和存储温度 operating junction and Storage temperature range	TJ, TSTG	-50-+150			°C

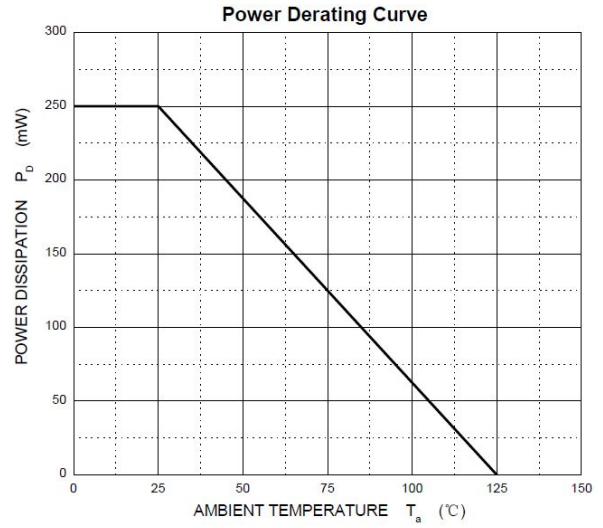
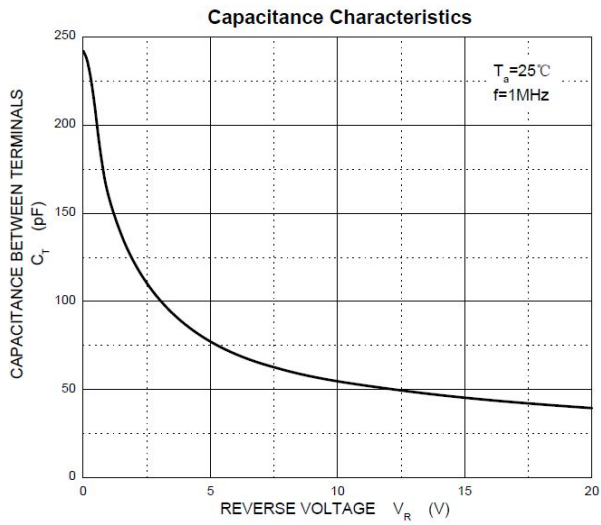


电特性 Electrical Characteristics (Ratings at 25°C ambient temperature unless otherwise specified).

参数 Parameters	符号 Symbol	测试条件 Test conditions	B5817WS	B5818WS	B5819WS	单位 unit
最大正向电压 Maximum forward voltage	V _F	I _F = 1.0A I _F = 3.0A	0.450 0.750	0.550 0.875	0.600 0.900	V
最大反向电压 Maximum reverse breakdown voltage	V _R	I _R =1mA	20	30	40	V
最大反向电流 Maximum reverse current	I _R	V _R =20V B5817WS V _R =30V B5818WS V _R =40V B5819WS	1.0			mA
典型结电容 Type junction capacitance	C _j	V _R = 4.0V, f = 1MHz	120			pF

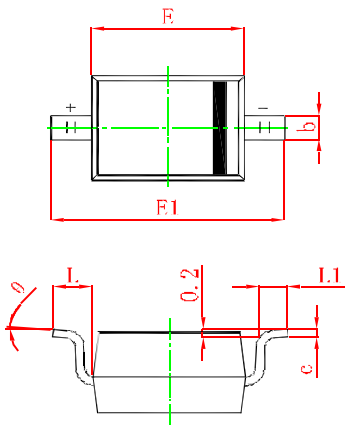
特性曲线 Characteristic Curves





SOD-323 PACKAGE OUTLINE Plastic surface mounted package

SOD-323



Symbol	Min.(mm)	Max.(mm)
A		1.000
A1	0.000	0.100
A2	0.800	0.900
b	0.250	0.350
c	0.080	0.150
D	1.200	1.400
E	1.600	1.800
E1	2.500	2.700
L	0.475REF	
L1	0.250	0.400
θ	0°	8°